



PZ-CMC1810 Series

Frame Core Chokes for Power Lines
 Web: <http://www.dgpinzhan.com>
 E-mail: sales@dgpinzhan.com

Created

Checked

Type

Date

Version

Page

Tom

Justin

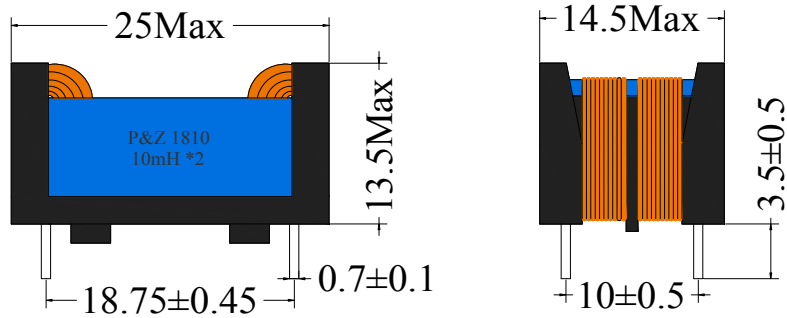
DIP

2020/4/15

A001

1

1. Dimensions: [mm]



4. General Properties:

It is recommended that the temperature of the component does not exceed +125°C under worst case conditions.

Storage Temperature:	-20 °C up to +60 °C
Operating Temperature:	-40 °C up to +125 °C

Temperature Rise < 55K.

Test conditions of Electrical Properties: +20°C, 33% RH if not specified differently.

5. Electrical Properties:

Part Code	Inductance	Test condition	DC-Resistance	Rated Current	EPSOC Code
PZ-CMC1810-103M	10mH	1KHZ/0.25V	290mΩ Max	1.60A Max	B82732F2162B001
PZ-CMC1810-153M	15mH	1KHZ/0.25V	430mΩ Max	1.30A Max	B82732F2132B001
PZ-CMC1810-273M	27mH	1KHZ/0.25V	770mΩ Max	0.90A Max	B82732F2901B001
PZ-CMC1810-393M	39mH	1KHZ/0.25V	1100mΩ Max	0.80A Max	B82732F2801B001
PZ-CMC1810-473M	47mH	1KHZ/0.25V	1260mΩ Max	0.70A Max	B82732F2701B001
PZ-CMC1810-683M	68mH	1KHZ/0.25V	1970mΩ Max	0.60A Max	B82732F2601B001
PZ-CMC1810-104M	100mH	1KHZ/0.25V	2930mΩ Max	0.45A Max	B82732F2451B001

*** Acceptable customers design custom**

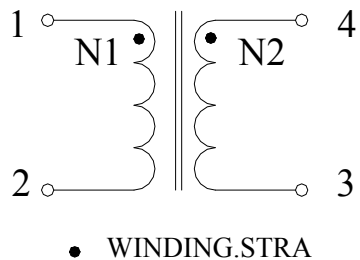
5.1 Rated current: IR at 50 Hz and TA = 40 °C

5.2 Rated voltage: 250 V AC

5.3 Excellent differential-mode suppression

5.4 Inductance tolerance +30/-50%

2. Schematic:



3. PCB Layout Ref(mm)

